

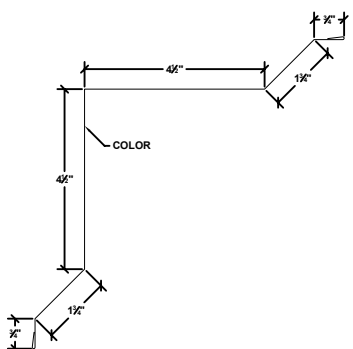
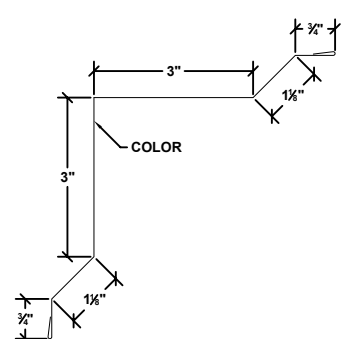
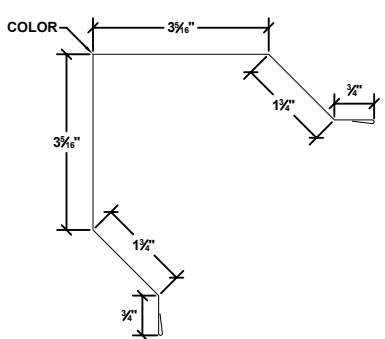
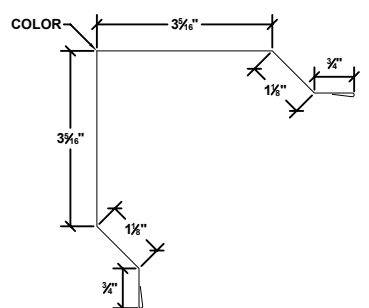
COMMERCIAL



Metal Roofing & Building Supply

936-825-0500

METAL BUILDING COMPONENTS

ITEM	DESCRIPTION																								
<p>CORNER TRIM - INSIDE R PANEL</p> 	<table border="1"> <thead> <tr> <th>PART NUMBER</th> <th>LENGTH</th> <th>GIRTH</th> <th>WEIGHT /PIECE</th> </tr> </thead> </table>	PART NUMBER	LENGTH	GIRTH	WEIGHT /PIECE																				
PART NUMBER	LENGTH	GIRTH	WEIGHT /PIECE																						
	<table border="1"> <tbody> <tr> <td>FL-ICR102</td> <td>10 - 2</td> <td>15.0000</td> <td>10.10</td> </tr> <tr> <td>FL-ICR122</td> <td>12 - 2</td> <td>15.0000</td> <td>12.08</td> </tr> <tr> <td>FL-ICR142</td> <td>14 - 2</td> <td>15.0000</td> <td>14.07</td> </tr> <tr> <td>FL-ICR162</td> <td>16 - 2</td> <td>15.0000</td> <td>16.05</td> </tr> <tr> <td>FL-ICR182</td> <td>18 - 2</td> <td>15.0000</td> <td>18.04</td> </tr> <tr> <td>FL-ICR202</td> <td>20 - 2</td> <td>15.0000</td> <td>20.03</td> </tr> </tbody> </table>	FL-ICR102	10 - 2	15.0000	10.10	FL-ICR122	12 - 2	15.0000	12.08	FL-ICR142	14 - 2	15.0000	14.07	FL-ICR162	16 - 2	15.0000	16.05	FL-ICR182	18 - 2	15.0000	18.04	FL-ICR202	20 - 2	15.0000	20.03
FL-ICR102	10 - 2	15.0000	10.10																						
FL-ICR122	12 - 2	15.0000	12.08																						
FL-ICR142	14 - 2	15.0000	14.07																						
FL-ICR162	16 - 2	15.0000	16.05																						
FL-ICR182	18 - 2	15.0000	18.04																						
FL-ICR202	20 - 2	15.0000	20.03																						
<p>CORNER TRIM - INSIDE U PANEL</p> 	<table border="1"> <thead> <tr> <th>PART NUMBER</th> <th>LENGTH</th> <th>GIRTH</th> <th>WEIGHT /PIECE</th> </tr> </thead> </table>	PART NUMBER	LENGTH	GIRTH	WEIGHT /PIECE																				
PART NUMBER	LENGTH	GIRTH	WEIGHT /PIECE																						
	<table border="1"> <tbody> <tr> <td>FL-ICU102</td> <td>10 - 2</td> <td>10.7500</td> <td>7.24</td> </tr> <tr> <td>FL-ICU122</td> <td>12 - 2</td> <td>10.7500</td> <td>8.66</td> </tr> <tr> <td>FL-ICU142</td> <td>14 - 2</td> <td>10.7500</td> <td>10.08</td> </tr> <tr> <td>FL-ICU162</td> <td>16 - 2</td> <td>10.7500</td> <td>11.51</td> </tr> <tr> <td>FL-ICU182</td> <td>18 - 2</td> <td>10.7500</td> <td>12.93</td> </tr> <tr> <td>FL-ICU202</td> <td>20 - 2</td> <td>10.7500</td> <td>14.35</td> </tr> </tbody> </table>	FL-ICU102	10 - 2	10.7500	7.24	FL-ICU122	12 - 2	10.7500	8.66	FL-ICU142	14 - 2	10.7500	10.08	FL-ICU162	16 - 2	10.7500	11.51	FL-ICU182	18 - 2	10.7500	12.93	FL-ICU202	20 - 2	10.7500	14.35
FL-ICU102	10 - 2	10.7500	7.24																						
FL-ICU122	12 - 2	10.7500	8.66																						
FL-ICU142	14 - 2	10.7500	10.08																						
FL-ICU162	16 - 2	10.7500	11.51																						
FL-ICU182	18 - 2	10.7500	12.93																						
FL-ICU202	20 - 2	10.7500	14.35																						
<p>CORNER TRIM - OUTSIDE R PANEL</p> 	<table border="1"> <thead> <tr> <th>PART NUMBER</th> <th>LENGTH</th> <th>GIRTH</th> <th>WEIGHT /PIECE</th> </tr> </thead> </table>	PART NUMBER	LENGTH	GIRTH	WEIGHT /PIECE																				
PART NUMBER	LENGTH	GIRTH	WEIGHT /PIECE																						
	<table border="1"> <tbody> <tr> <td>FL-OCR102</td> <td>10 - 2</td> <td>12.6250</td> <td>8.36</td> </tr> <tr> <td>FL-OCR122</td> <td>12 - 2</td> <td>12.6250</td> <td>10.17</td> </tr> <tr> <td>FL-OCR142</td> <td>14 - 2</td> <td>12.6250</td> <td>11.84</td> </tr> <tr> <td>FL-OCR162</td> <td>16 - 2</td> <td>12.6250</td> <td>13.51</td> </tr> <tr> <td>FL-OCR182</td> <td>18 - 2</td> <td>12.6250</td> <td>15.18</td> </tr> <tr> <td>FL-OCR202</td> <td>20 - 2</td> <td>12.6250</td> <td>16.85</td> </tr> </tbody> </table>	FL-OCR102	10 - 2	12.6250	8.36	FL-OCR122	12 - 2	12.6250	10.17	FL-OCR142	14 - 2	12.6250	11.84	FL-OCR162	16 - 2	12.6250	13.51	FL-OCR182	18 - 2	12.6250	15.18	FL-OCR202	20 - 2	12.6250	16.85
FL-OCR102	10 - 2	12.6250	8.36																						
FL-OCR122	12 - 2	12.6250	10.17																						
FL-OCR142	14 - 2	12.6250	11.84																						
FL-OCR162	16 - 2	12.6250	13.51																						
FL-OCR182	18 - 2	12.6250	15.18																						
FL-OCR202	20 - 2	12.6250	16.85																						
<p>CORNER TRIM - OUTSIDE U PANEL</p> 	<table border="1"> <thead> <tr> <th>PART NUMBER</th> <th>LENGTH</th> <th>GIRTH</th> <th>WEIGHT /PIECE</th> </tr> </thead> </table>	PART NUMBER	LENGTH	GIRTH	WEIGHT /PIECE																				
PART NUMBER	LENGTH	GIRTH	WEIGHT /PIECE																						
	<table border="1"> <tbody> <tr> <td>FL-OCU102</td> <td>10 - 2</td> <td>11.3570</td> <td>7.66</td> </tr> <tr> <td>FL-OCU122</td> <td>12 - 2</td> <td>11.3570</td> <td>9.16</td> </tr> <tr> <td>FL-OCU142</td> <td>14 - 2</td> <td>11.3570</td> <td>10.67</td> </tr> <tr> <td>FL-OCU162</td> <td>16 - 2</td> <td>11.3570</td> <td>12.17</td> </tr> <tr> <td>FL-OCU182</td> <td>18 - 2</td> <td>11.3570</td> <td>13.68</td> </tr> <tr> <td>FL-OCU202</td> <td>20 - 2</td> <td>11.3570</td> <td>15.19</td> </tr> </tbody> </table>	FL-OCU102	10 - 2	11.3570	7.66	FL-OCU122	12 - 2	11.3570	9.16	FL-OCU142	14 - 2	11.3570	10.67	FL-OCU162	16 - 2	11.3570	12.17	FL-OCU182	18 - 2	11.3570	13.68	FL-OCU202	20 - 2	11.3570	15.19
FL-OCU102	10 - 2	11.3570	7.66																						
FL-OCU122	12 - 2	11.3570	9.16																						
FL-OCU142	14 - 2	11.3570	10.67																						
FL-OCU162	16 - 2	11.3570	12.17																						
FL-OCU182	18 - 2	11.3570	13.68																						
FL-OCU202	20 - 2	11.3570	15.19																						

METAL BUILDING COMPONENTS

ITEM	DESCRIPTION																												
<p>BOX EAVE GUTTER - R PANEL</p>	<table border="1"> <thead> <tr> <th>PART NUMBER</th> <th>LENGTH</th> <th>GIRTH</th> <th>WEIGHT /PIECE</th> </tr> </thead> <tbody> <tr><td>FL-BEGR102</td><td>10 - 2</td><td>21.5000</td><td>14.47</td></tr> <tr><td>FL-BEGR122</td><td>12 - 2</td><td>21.5000</td><td>17.32</td></tr> <tr><td>FL-BEGR142</td><td>14 - 2</td><td>21.5000</td><td>20.16</td></tr> <tr><td>FL-BEGR162</td><td>16 - 2</td><td>21.5000</td><td>23.01</td></tr> <tr><td>FL-BEGR182</td><td>18 - 2</td><td>21.5000</td><td>25.86</td></tr> <tr><td>FL-BEGR202</td><td>20 - 2</td><td>21.5000</td><td>28.70</td></tr> </tbody> </table>	PART NUMBER	LENGTH	GIRTH	WEIGHT /PIECE	FL-BEGR102	10 - 2	21.5000	14.47	FL-BEGR122	12 - 2	21.5000	17.32	FL-BEGR142	14 - 2	21.5000	20.16	FL-BEGR162	16 - 2	21.5000	23.01	FL-BEGR182	18 - 2	21.5000	25.86	FL-BEGR202	20 - 2	21.5000	28.70
PART NUMBER	LENGTH	GIRTH	WEIGHT /PIECE																										
FL-BEGR102	10 - 2	21.5000	14.47																										
FL-BEGR122	12 - 2	21.5000	17.32																										
FL-BEGR142	14 - 2	21.5000	20.16																										
FL-BEGR162	16 - 2	21.5000	23.01																										
FL-BEGR182	18 - 2	21.5000	25.86																										
FL-BEGR202	20 - 2	21.5000	28.70																										
<p>BOX EAVE GUTTER - U PANEL</p>	<table border="1"> <thead> <tr> <th>PART NUMBER</th> <th>LENGTH</th> <th>GIRTH</th> <th>WEIGHT /PIECE</th> </tr> </thead> <tbody> <tr><td>FL-BEGU102</td><td>10 - 2</td><td>21.5000</td><td>14.47</td></tr> <tr><td>FL-BEGU122</td><td>12 - 2</td><td>21.5000</td><td>17.32</td></tr> <tr><td>FL-BEGU142</td><td>14 - 2</td><td>21.5000</td><td>20.16</td></tr> <tr><td>FL-BEGU162</td><td>16 - 2</td><td>21.5000</td><td>23.01</td></tr> <tr><td>FL-BEGU182</td><td>18 - 2</td><td>21.5000</td><td>25.86</td></tr> <tr><td>FL-BEGU202</td><td>20 - 2</td><td>21.5000</td><td>28.70</td></tr> </tbody> </table>	PART NUMBER	LENGTH	GIRTH	WEIGHT /PIECE	FL-BEGU102	10 - 2	21.5000	14.47	FL-BEGU122	12 - 2	21.5000	17.32	FL-BEGU142	14 - 2	21.5000	20.16	FL-BEGU162	16 - 2	21.5000	23.01	FL-BEGU182	18 - 2	21.5000	25.86	FL-BEGU202	20 - 2	21.5000	28.70
PART NUMBER	LENGTH	GIRTH	WEIGHT /PIECE																										
FL-BEGU102	10 - 2	21.5000	14.47																										
FL-BEGU122	12 - 2	21.5000	17.32																										
FL-BEGU142	14 - 2	21.5000	20.16																										
FL-BEGU162	16 - 2	21.5000	23.01																										
FL-BEGU182	18 - 2	21.5000	25.86																										
FL-BEGU202	20 - 2	21.5000	28.70																										
<p>BOX GUTTER END</p>	<table border="1"> <thead> <tr> <th>PART NUMBER</th> <th>LENGTH</th> <th>GIRTH</th> <th>WEIGHT /PIECE</th> </tr> </thead> <tbody> <tr><td>FL-BGEND</td><td></td><td></td><td></td></tr> </tbody> </table>	PART NUMBER	LENGTH	GIRTH	WEIGHT /PIECE	FL-BGEND																							
PART NUMBER	LENGTH	GIRTH	WEIGHT /PIECE																										
FL-BGEND																													
<p>GUTTER STRAP</p>	<table border="1"> <thead> <tr> <th>PART NUMBER</th> <th>LENGTH</th> <th>GIRTH</th> <th>WEIGHT /PIECE</th> </tr> </thead> <tbody> <tr><td>FL-GSTRAP</td><td>1 - *</td><td>3.0000</td><td>0.20</td></tr> </tbody> </table>	PART NUMBER	LENGTH	GIRTH	WEIGHT /PIECE	FL-GSTRAP	1 - *	3.0000	0.20																				
PART NUMBER	LENGTH	GIRTH	WEIGHT /PIECE																										
FL-GSTRAP	1 - *	3.0000	0.20																										

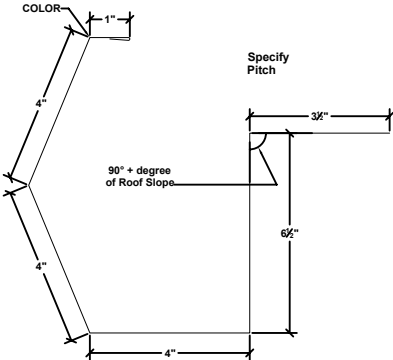
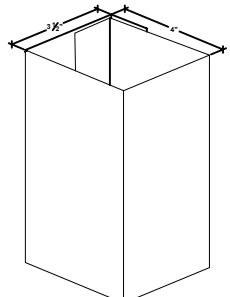
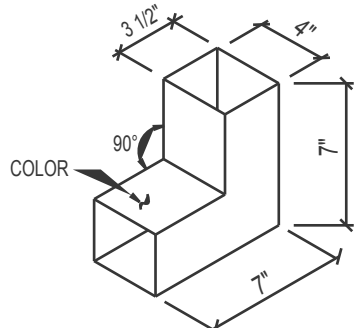
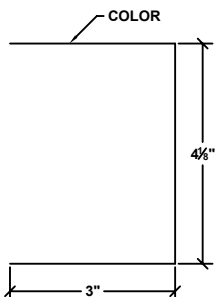
METAL BUILDING COMPONENTS

ITEM	DESCRIPTION																												
<p>BOX HANG ON GUTTER - R PANEL</p>	<table border="1"> <thead> <tr> <th>PART NUMBER</th> <th>LENGTH</th> <th>GIRTH</th> <th>WEIGHT /PIECE</th> </tr> </thead> <tbody> <tr><td>FL-BHGR102</td><td>10 - 2</td><td>18..2500</td><td>12.28</td></tr> <tr><td>FL-BHGR122</td><td>12 - 2</td><td>18..2500</td><td>14.70</td></tr> <tr><td>FL-BHGR142</td><td>14 - 2</td><td>18..2500</td><td>17.12</td></tr> <tr><td>FL-BHGR162</td><td>16 - 2</td><td>18..2500</td><td>19.53</td></tr> <tr><td>FL-BHGR182</td><td>18 - 2</td><td>18..2500</td><td>21.95</td></tr> <tr><td>FL-BHGR202</td><td>20 - 2</td><td>18..2500</td><td>24.36</td></tr> </tbody> </table>	PART NUMBER	LENGTH	GIRTH	WEIGHT /PIECE	FL-BHGR102	10 - 2	18..2500	12.28	FL-BHGR122	12 - 2	18..2500	14.70	FL-BHGR142	14 - 2	18..2500	17.12	FL-BHGR162	16 - 2	18..2500	19.53	FL-BHGR182	18 - 2	18..2500	21.95	FL-BHGR202	20 - 2	18..2500	24.36
PART NUMBER	LENGTH	GIRTH	WEIGHT /PIECE																										
FL-BHGR102	10 - 2	18..2500	12.28																										
FL-BHGR122	12 - 2	18..2500	14.70																										
FL-BHGR142	14 - 2	18..2500	17.12																										
FL-BHGR162	16 - 2	18..2500	19.53																										
FL-BHGR182	18 - 2	18..2500	21.95																										
FL-BHGR202	20 - 2	18..2500	24.36																										
<p>BOX HANG ON GUTTER - U PANEL</p>	<table border="1"> <thead> <tr> <th>PART NUMBER</th> <th>LENGTH</th> <th>GIRTH</th> <th>WEIGHT /PIECE</th> </tr> </thead> <tbody> <tr><td>FL-BHGU102</td><td>10 - 2</td><td>18..2500</td><td>12.28</td></tr> <tr><td>FL-BHGU122</td><td>12 - 2</td><td>18..2500</td><td>14.70</td></tr> <tr><td>FL-BHGU142</td><td>14 - 2</td><td>18..2500</td><td>17.12</td></tr> <tr><td>FL-BHGU162</td><td>16 - 2</td><td>18..2500</td><td>19.53</td></tr> <tr><td>FL-BHGU182</td><td>18 - 2</td><td>18..2500</td><td>21.95</td></tr> <tr><td>FL-BHGU202</td><td>20 - 2</td><td>18..2500</td><td>24.36</td></tr> </tbody> </table>	PART NUMBER	LENGTH	GIRTH	WEIGHT /PIECE	FL-BHGU102	10 - 2	18..2500	12.28	FL-BHGU122	12 - 2	18..2500	14.70	FL-BHGU142	14 - 2	18..2500	17.12	FL-BHGU162	16 - 2	18..2500	19.53	FL-BHGU182	18 - 2	18..2500	21.95	FL-BHGU202	20 - 2	18..2500	24.36
PART NUMBER	LENGTH	GIRTH	WEIGHT /PIECE																										
FL-BHGU102	10 - 2	18..2500	12.28																										
FL-BHGU122	12 - 2	18..2500	14.70																										
FL-BHGU142	14 - 2	18..2500	17.12																										
FL-BHGU162	16 - 2	18..2500	19.53																										
FL-BHGU182	18 - 2	18..2500	21.95																										
FL-BHGU202	20 - 2	18..2500	24.36																										
<p>BOX GUTTER END</p>	<table border="1"> <thead> <tr> <th>PART NUMBER</th> <th>LENGTH</th> <th>GIRTH</th> <th>WEIGHT /PIECE</th> </tr> </thead> <tbody> <tr><td>FL-BGEND</td><td></td><td></td><td></td></tr> </tbody> </table>	PART NUMBER	LENGTH	GIRTH	WEIGHT /PIECE	FL-BGEND																							
PART NUMBER	LENGTH	GIRTH	WEIGHT /PIECE																										
FL-BGEND																													
<p>GUTTER STRAP</p>	<table border="1"> <thead> <tr> <th>PART NUMBER</th> <th>LENGTH</th> <th>GIRTH</th> <th>WEIGHT /PIECE</th> </tr> </thead> <tbody> <tr><td>FL-GSTRAP</td><td>1 - *</td><td>3.0000</td><td>0.20</td></tr> </tbody> </table>	PART NUMBER	LENGTH	GIRTH	WEIGHT /PIECE	FL-GSTRAP	1 - *	3.0000	0.20																				
PART NUMBER	LENGTH	GIRTH	WEIGHT /PIECE																										
FL-GSTRAP	1 - *	3.0000	0.20																										

METAL BUILDING COMPONENTS

ITEM	DESCRIPTION																												
<p>SCULPTURED EAVE GUTTER - R PANEL</p>	<table border="1"> <thead> <tr> <th>PART NUMBER</th> <th>LENGTH</th> <th>GIRTH</th> <th>WEIGHT /PIECE</th> </tr> </thead> <tbody> <tr><td>FL-SEGR102</td><td>10 - 2</td><td>23.5000</td><td>15.82</td></tr> <tr><td>FL-SEGR122</td><td>12 - 2</td><td>23.5000</td><td>18.93</td></tr> <tr><td>FL-SEGR142</td><td>14 - 2</td><td>23.5000</td><td>22.04</td></tr> <tr><td>FL-SEGR162</td><td>16 - 2</td><td>23.5000</td><td>25.15</td></tr> <tr><td>FL-SEGR182</td><td>18 - 2</td><td>23.5000</td><td>28.26</td></tr> <tr><td>FL-SEGR202</td><td>20 - 2</td><td>23.5000</td><td>31.37</td></tr> </tbody> </table>	PART NUMBER	LENGTH	GIRTH	WEIGHT /PIECE	FL-SEGR102	10 - 2	23.5000	15.82	FL-SEGR122	12 - 2	23.5000	18.93	FL-SEGR142	14 - 2	23.5000	22.04	FL-SEGR162	16 - 2	23.5000	25.15	FL-SEGR182	18 - 2	23.5000	28.26	FL-SEGR202	20 - 2	23.5000	31.37
PART NUMBER	LENGTH	GIRTH	WEIGHT /PIECE																										
FL-SEGR102	10 - 2	23.5000	15.82																										
FL-SEGR122	12 - 2	23.5000	18.93																										
FL-SEGR142	14 - 2	23.5000	22.04																										
FL-SEGR162	16 - 2	23.5000	25.15																										
FL-SEGR182	18 - 2	23.5000	28.26																										
FL-SEGR202	20 - 2	23.5000	31.37																										
<p>SCULPTURED EAVE GUTTER - U PANEL</p>	<table border="1"> <thead> <tr> <th>PART NUMBER</th> <th>LENGTH</th> <th>GIRTH</th> <th>WEIGHT /PIECE</th> </tr> </thead> <tbody> <tr><td>FL-SEGU102</td><td>10 - 2</td><td>24.0000</td><td>16.15</td></tr> <tr><td>FL-SEGU122</td><td>12 - 2</td><td>24.0000</td><td>19.33</td></tr> <tr><td>FL-SEGU142</td><td>14 - 2</td><td>24.0000</td><td>22.51</td></tr> <tr><td>FL-SEGU162</td><td>16 - 2</td><td>24.0000</td><td>25.69</td></tr> <tr><td>FL-SEGU182</td><td>18 - 2</td><td>24.0000</td><td>28.86</td></tr> <tr><td>FL-SEGU202</td><td>20 - 2</td><td>24.0000</td><td>32.04</td></tr> </tbody> </table>	PART NUMBER	LENGTH	GIRTH	WEIGHT /PIECE	FL-SEGU102	10 - 2	24.0000	16.15	FL-SEGU122	12 - 2	24.0000	19.33	FL-SEGU142	14 - 2	24.0000	22.51	FL-SEGU162	16 - 2	24.0000	25.69	FL-SEGU182	18 - 2	24.0000	28.86	FL-SEGU202	20 - 2	24.0000	32.04
PART NUMBER	LENGTH	GIRTH	WEIGHT /PIECE																										
FL-SEGU102	10 - 2	24.0000	16.15																										
FL-SEGU122	12 - 2	24.0000	19.33																										
FL-SEGU142	14 - 2	24.0000	22.51																										
FL-SEGU162	16 - 2	24.0000	25.69																										
FL-SEGU182	18 - 2	24.0000	28.86																										
FL-SEGU202	20 - 2	24.0000	32.04																										
<p>SCULPTURED GUTTER END</p> <p style="text-align: center; font-size: 2em;">N/A</p>	<table border="1"> <thead> <tr> <th>PART NUMBER</th> <th>LENGTH</th> <th>GIRTH</th> <th>WEIGHT /PIECE</th> </tr> </thead> <tbody> <tr><td>FL-SHGEND</td><td></td><td></td><td></td></tr> </tbody> </table>	PART NUMBER	LENGTH	GIRTH	WEIGHT /PIECE	FL-SHGEND																							
PART NUMBER	LENGTH	GIRTH	WEIGHT /PIECE																										
FL-SHGEND																													
<p>SCULPTURED HANG ON GUTTER - R PANEL</p>	<table border="1"> <thead> <tr> <th>PART NUMBER</th> <th>LENGTH</th> <th>GIRTH</th> <th>WEIGHT /PIECE</th> </tr> </thead> <tbody> <tr><td>FL-SHGR102</td><td>10 - 2</td><td>20.7500</td><td>13.97</td></tr> <tr><td>FL-SHGR122</td><td>12 - 2</td><td>20.7500</td><td>16.71</td></tr> <tr><td>FL-SHGR142</td><td>14 - 2</td><td>20.7500</td><td>19.46</td></tr> <tr><td>FL-SHGR162</td><td>16 - 2</td><td>20.7500</td><td>22.21</td></tr> <tr><td>FL-SHGR182</td><td>18 - 2</td><td>20.7500</td><td>24.95</td></tr> <tr><td>FL-SHGR202</td><td>20 - 2</td><td>20.7500</td><td>27.70</td></tr> </tbody> </table>	PART NUMBER	LENGTH	GIRTH	WEIGHT /PIECE	FL-SHGR102	10 - 2	20.7500	13.97	FL-SHGR122	12 - 2	20.7500	16.71	FL-SHGR142	14 - 2	20.7500	19.46	FL-SHGR162	16 - 2	20.7500	22.21	FL-SHGR182	18 - 2	20.7500	24.95	FL-SHGR202	20 - 2	20.7500	27.70
PART NUMBER	LENGTH	GIRTH	WEIGHT /PIECE																										
FL-SHGR102	10 - 2	20.7500	13.97																										
FL-SHGR122	12 - 2	20.7500	16.71																										
FL-SHGR142	14 - 2	20.7500	19.46																										
FL-SHGR162	16 - 2	20.7500	22.21																										
FL-SHGR182	18 - 2	20.7500	24.95																										
FL-SHGR202	20 - 2	20.7500	27.70																										

METAL BUILDING COMPONENTS

ITEM	DESCRIPTION																												
<p>SCULPTURED HANG ON GUTTER - R PANEL</p> 	<table border="1"> <thead> <tr> <th>PART NUMBER</th> <th>LENGTH</th> <th>GIRTH</th> <th>WEIGHT /PIECE</th> </tr> </thead> <tbody> <tr> <td>FL-SHGU102</td> <td>10 - 2</td> <td>21.2500</td> <td>14.30</td> </tr> <tr> <td>FL-SHGU122</td> <td>12 - 2</td> <td>21.2500</td> <td>17.12</td> </tr> <tr> <td>FL-SHGU142</td> <td>14 - 2</td> <td>21.2500</td> <td>19.93</td> </tr> <tr> <td>FL-SHGU162</td> <td>16 - 2</td> <td>21.2500</td> <td>22.74</td> </tr> <tr> <td>FL-SHGU182</td> <td>18 - 2</td> <td>21.2500</td> <td>25.56</td> </tr> <tr> <td>FL-SHGU202</td> <td>20 - 2</td> <td>21.2500</td> <td>28.37</td> </tr> </tbody> </table>	PART NUMBER	LENGTH	GIRTH	WEIGHT /PIECE	FL-SHGU102	10 - 2	21.2500	14.30	FL-SHGU122	12 - 2	21.2500	17.12	FL-SHGU142	14 - 2	21.2500	19.93	FL-SHGU162	16 - 2	21.2500	22.74	FL-SHGU182	18 - 2	21.2500	25.56	FL-SHGU202	20 - 2	21.2500	28.37
PART NUMBER	LENGTH	GIRTH	WEIGHT /PIECE																										
FL-SHGU102	10 - 2	21.2500	14.30																										
FL-SHGU122	12 - 2	21.2500	17.12																										
FL-SHGU142	14 - 2	21.2500	19.93																										
FL-SHGU162	16 - 2	21.2500	22.74																										
FL-SHGU182	18 - 2	21.2500	25.56																										
FL-SHGU202	20 - 2	21.2500	28.37																										
<p>DOWNSPOUT</p> 	<table border="1"> <thead> <tr> <th>PART NUMBER</th> <th>LENGTH</th> <th>GIRTH</th> <th>WEIGHT /PIECE</th> </tr> </thead> <tbody> <tr> <td>FL-DS102</td> <td>10 - 2</td> <td>17.0000</td> <td>11.44</td> </tr> <tr> <td>FL-DS122</td> <td>12 - 2</td> <td>17.0000</td> <td>13.69</td> </tr> <tr> <td>FL-DS142</td> <td>14 - 2</td> <td>17.0000</td> <td>15.94</td> </tr> <tr> <td>FL-DS162</td> <td>16 - 2</td> <td>17.0000</td> <td>18.19</td> </tr> <tr> <td>FL-DS182</td> <td>18 - 2</td> <td>17.0000</td> <td>20.44</td> </tr> <tr> <td>FL-DS202</td> <td>20 - 2</td> <td>17.0000</td> <td>22.70</td> </tr> </tbody> </table>	PART NUMBER	LENGTH	GIRTH	WEIGHT /PIECE	FL-DS102	10 - 2	17.0000	11.44	FL-DS122	12 - 2	17.0000	13.69	FL-DS142	14 - 2	17.0000	15.94	FL-DS162	16 - 2	17.0000	18.19	FL-DS182	18 - 2	17.0000	20.44	FL-DS202	20 - 2	17.0000	22.70
PART NUMBER	LENGTH	GIRTH	WEIGHT /PIECE																										
FL-DS102	10 - 2	17.0000	11.44																										
FL-DS122	12 - 2	17.0000	13.69																										
FL-DS142	14 - 2	17.0000	15.94																										
FL-DS162	16 - 2	17.0000	18.19																										
FL-DS182	18 - 2	17.0000	20.44																										
FL-DS202	20 - 2	17.0000	22.70																										
<p>DOWNSPOUT ELBOW 90°</p> 	<table border="1"> <thead> <tr> <th>PART NUMBER</th> <th>LENGTH</th> <th>GIRTH</th> <th>WEIGHT /PIECE</th> </tr> </thead> <tbody> <tr> <td>FL-DSE90</td> <td>* - 14</td> <td>17.0000</td> <td>1.31</td> </tr> </tbody> </table>	PART NUMBER	LENGTH	GIRTH	WEIGHT /PIECE	FL-DSE90	* - 14	17.0000	1.31																				
PART NUMBER	LENGTH	GIRTH	WEIGHT /PIECE																										
FL-DSE90	* - 14	17.0000	1.31																										
<p>DOWNSPOUT STRAP</p> 	<table border="1"> <thead> <tr> <th>PART NUMBER</th> <th>LENGTH</th> <th>GIRTH</th> <th>WEIGHT /PIECE</th> </tr> </thead> <tbody> <tr> <td>FL-DSSTRAP</td> <td>* - 1</td> <td>10.1250</td> <td>0.06</td> </tr> </tbody> </table>	PART NUMBER	LENGTH	GIRTH	WEIGHT /PIECE	FL-DSSTRAP	* - 1	10.1250	0.06																				
PART NUMBER	LENGTH	GIRTH	WEIGHT /PIECE																										
FL-DSSTRAP	* - 1	10.1250	0.06																										

ITEM	DESCRIPTION																												
<p>BOX RAKE TRIM - R PANEL*</p>	<table border="1"> <thead> <tr> <th>PART NUMBER</th> <th>LENGTH</th> <th>GIRTH</th> <th>WEIGHT /PIECE</th> </tr> </thead> <tbody> <tr><td>FL-BRR102</td><td>10 - 2</td><td>20.2500</td><td>13.63</td></tr> <tr><td>FL-BRR122</td><td>12 - 2</td><td>20.2500</td><td>16.31</td></tr> <tr><td>FL-BRR142</td><td>14 - 2</td><td>20.2500</td><td>18.99</td></tr> <tr><td>FL-BRR162</td><td>16 - 2</td><td>20.2500</td><td>21.67</td></tr> <tr><td>FL-BRR182</td><td>18 - 2</td><td>20.2500</td><td>24.35</td></tr> <tr><td>FL-BRR202</td><td>20 - 2</td><td>20.2500</td><td>27.03</td></tr> </tbody> </table> <p>*USE BOXED PEAK BOX - PART #FL-BPEAK *USE BOXED RAKE END - PART #FL-BREND *USE SCULPTURED RAKE ENDS - PART #FL-SREND</p>	PART NUMBER	LENGTH	GIRTH	WEIGHT /PIECE	FL-BRR102	10 - 2	20.2500	13.63	FL-BRR122	12 - 2	20.2500	16.31	FL-BRR142	14 - 2	20.2500	18.99	FL-BRR162	16 - 2	20.2500	21.67	FL-BRR182	18 - 2	20.2500	24.35	FL-BRR202	20 - 2	20.2500	27.03
PART NUMBER	LENGTH	GIRTH	WEIGHT /PIECE																										
FL-BRR102	10 - 2	20.2500	13.63																										
FL-BRR122	12 - 2	20.2500	16.31																										
FL-BRR142	14 - 2	20.2500	18.99																										
FL-BRR162	16 - 2	20.2500	21.67																										
FL-BRR182	18 - 2	20.2500	24.35																										
FL-BRR202	20 - 2	20.2500	27.03																										
<p>BOX RAKE TRIM - U PANEL*</p>	<table border="1"> <thead> <tr> <th>PART NUMBER</th> <th>LENGTH</th> <th>GIRTH</th> <th>WEIGHT /PIECE</th> </tr> </thead> <tbody> <tr><td>FL-BRU102</td><td>10 - 2</td><td>20.2500</td><td>13.63</td></tr> <tr><td>FL-BRU122</td><td>12 - 2</td><td>20.2500</td><td>16.31</td></tr> <tr><td>FL-BRU142</td><td>14 - 2</td><td>20.2500</td><td>18.99</td></tr> <tr><td>FL-BRU162</td><td>16 - 2</td><td>20.2500</td><td>21.67</td></tr> <tr><td>FL-BRU182</td><td>18 - 2</td><td>20.2500</td><td>24.35</td></tr> <tr><td>FL-BRU202</td><td>20 - 2</td><td>20.2500</td><td>27.03</td></tr> </tbody> </table> <p>*USE BOXED PEAK BOX - PART #FL-BPEAK *USE BOXED RAKE END - PART #FL-BREND *USE SCULPTURED RAKE ENDS - PART #FL-SREND</p>	PART NUMBER	LENGTH	GIRTH	WEIGHT /PIECE	FL-BRU102	10 - 2	20.2500	13.63	FL-BRU122	12 - 2	20.2500	16.31	FL-BRU142	14 - 2	20.2500	18.99	FL-BRU162	16 - 2	20.2500	21.67	FL-BRU182	18 - 2	20.2500	24.35	FL-BRU202	20 - 2	20.2500	27.03
PART NUMBER	LENGTH	GIRTH	WEIGHT /PIECE																										
FL-BRU102	10 - 2	20.2500	13.63																										
FL-BRU122	12 - 2	20.2500	16.31																										
FL-BRU142	14 - 2	20.2500	18.99																										
FL-BRU162	16 - 2	20.2500	21.67																										
FL-BRU182	18 - 2	20.2500	24.35																										
FL-BRU202	20 - 2	20.2500	27.03																										
<p>SCULPTURED RAKE TRIM - R PANEL*</p>	<table border="1"> <thead> <tr> <th>PART NUMBER</th> <th>LENGTH</th> <th>GIRTH</th> <th>WEIGHT /PIECE</th> </tr> </thead> <tbody> <tr><td>FL-SRR102</td><td>10 - 2</td><td>20.2500</td><td>13.63</td></tr> <tr><td>FL-SRR122</td><td>12 - 2</td><td>20.2500</td><td>16.31</td></tr> <tr><td>FL-SRR142</td><td>14 - 2</td><td>20.2500</td><td>18.99</td></tr> <tr><td>FL-SRR162</td><td>16 - 2</td><td>20.2500</td><td>21.67</td></tr> <tr><td>FL-SRR182</td><td>18 - 2</td><td>20.2500</td><td>24.35</td></tr> <tr><td>FL-SRR202</td><td>20 - 2</td><td>20.2500</td><td>27.03</td></tr> </tbody> </table> <p>*USE BOXED PEAK BOX - PART #FL-BPEAK *USE BOXED RAKE END - PART #FL-BREND *USE SCULPTURED RAKE ENDS - PART #FL-SREND *USE SCULPTURED PEAK BOX - PART #FL-SPEAK</p>	PART NUMBER	LENGTH	GIRTH	WEIGHT /PIECE	FL-SRR102	10 - 2	20.2500	13.63	FL-SRR122	12 - 2	20.2500	16.31	FL-SRR142	14 - 2	20.2500	18.99	FL-SRR162	16 - 2	20.2500	21.67	FL-SRR182	18 - 2	20.2500	24.35	FL-SRR202	20 - 2	20.2500	27.03
PART NUMBER	LENGTH	GIRTH	WEIGHT /PIECE																										
FL-SRR102	10 - 2	20.2500	13.63																										
FL-SRR122	12 - 2	20.2500	16.31																										
FL-SRR142	14 - 2	20.2500	18.99																										
FL-SRR162	16 - 2	20.2500	21.67																										
FL-SRR182	18 - 2	20.2500	24.35																										
FL-SRR202	20 - 2	20.2500	27.03																										
<p>SCULPTURED RAKE TRIM - U PANEL*</p>	<table border="1"> <thead> <tr> <th>PART NUMBER</th> <th>LENGTH</th> <th>GIRTH</th> <th>WEIGHT /PIECE</th> </tr> </thead> <tbody> <tr><td>FL-SRR102</td><td>10 - 2</td><td>20.2500</td><td>13.63</td></tr> <tr><td>FL-SRR122</td><td>12 - 2</td><td>20.2500</td><td>16.31</td></tr> <tr><td>FL-SRR142</td><td>14 - 2</td><td>20.2500</td><td>18.99</td></tr> <tr><td>FL-SRR162</td><td>16 - 2</td><td>20.2500</td><td>21.67</td></tr> <tr><td>FL-SRR182</td><td>18 - 2</td><td>20.2500</td><td>24.35</td></tr> <tr><td>FL-SRR202</td><td>20 - 2</td><td>20.2500</td><td>27.03</td></tr> </tbody> </table> <p>*USE BOXED PEAK BOX - PART #FL-BPEAK *USE BOXED RAKE END - PART #FL-BREND *USE SCULPTURED RAKE ENDS - PART #FL-SREND *USE SCULPTURED PEAK BOX - PART #FL-SPEAK</p>	PART NUMBER	LENGTH	GIRTH	WEIGHT /PIECE	FL-SRR102	10 - 2	20.2500	13.63	FL-SRR122	12 - 2	20.2500	16.31	FL-SRR142	14 - 2	20.2500	18.99	FL-SRR162	16 - 2	20.2500	21.67	FL-SRR182	18 - 2	20.2500	24.35	FL-SRR202	20 - 2	20.2500	27.03
PART NUMBER	LENGTH	GIRTH	WEIGHT /PIECE																										
FL-SRR102	10 - 2	20.2500	13.63																										
FL-SRR122	12 - 2	20.2500	16.31																										
FL-SRR142	14 - 2	20.2500	18.99																										
FL-SRR162	16 - 2	20.2500	21.67																										
FL-SRR182	18 - 2	20.2500	24.35																										
FL-SRR202	20 - 2	20.2500	27.03																										

METAL BUILDING COMPONENTS

ITEM	DESCRIPTION																												
<p>SCULPTURED HIGH SIDE EAVE</p>	<table border="1"> <thead> <tr> <th>PART NUMBER</th> <th>LENGTH</th> <th>GIRTH</th> <th>WEIGHT /PIECE</th> </tr> </thead> <tbody> <tr> <td>FL-SHER102</td> <td>10 - 2</td> <td>20.7500</td> <td>13.97</td> </tr> <tr> <td>FL-SHER122</td> <td>12 - 2</td> <td>20.7500</td> <td>16.71</td> </tr> <tr> <td>FL-SHER142</td> <td>14 - 2</td> <td>20.7500</td> <td>19.46</td> </tr> <tr> <td>FL-SHER162</td> <td>16 - 2</td> <td>20.7500</td> <td>22.21</td> </tr> <tr> <td>FL-SHER182</td> <td>18 - 2</td> <td>20.7500</td> <td>24.95</td> </tr> <tr> <td>FL-SHER202</td> <td>20 - 2</td> <td>20.7500</td> <td>27.70</td> </tr> </tbody> </table>	PART NUMBER	LENGTH	GIRTH	WEIGHT /PIECE	FL-SHER102	10 - 2	20.7500	13.97	FL-SHER122	12 - 2	20.7500	16.71	FL-SHER142	14 - 2	20.7500	19.46	FL-SHER162	16 - 2	20.7500	22.21	FL-SHER182	18 - 2	20.7500	24.95	FL-SHER202	20 - 2	20.7500	27.70
PART NUMBER	LENGTH	GIRTH	WEIGHT /PIECE																										
FL-SHER102	10 - 2	20.7500	13.97																										
FL-SHER122	12 - 2	20.7500	16.71																										
FL-SHER142	14 - 2	20.7500	19.46																										
FL-SHER162	16 - 2	20.7500	22.21																										
FL-SHER182	18 - 2	20.7500	24.95																										
FL-SHER202	20 - 2	20.7500	27.70																										
<p>SCULPTURED LOW SIDE EAVE</p>	<table border="1"> <thead> <tr> <th>PART NUMBER</th> <th>LENGTH</th> <th>GIRTH</th> <th>WEIGHT /PIECE</th> </tr> </thead> <tbody> <tr> <td>FL-SLER102</td> <td>10 - 2</td> <td>18.8750</td> <td>12.70</td> </tr> <tr> <td>FL-SLER122</td> <td>12 - 2</td> <td>18.8750</td> <td>15.20</td> </tr> <tr> <td>FL-SLER142</td> <td>14 - 2</td> <td>18.8750</td> <td>17.70</td> </tr> <tr> <td>FL-SLER162</td> <td>16 - 2</td> <td>18.8750</td> <td>20.20</td> </tr> <tr> <td>FL-SLER182</td> <td>18 - 2</td> <td>18.8750</td> <td>22.70</td> </tr> <tr> <td>FL-SLER202</td> <td>20 - 2</td> <td>18.8750</td> <td>25.20</td> </tr> </tbody> </table>	PART NUMBER	LENGTH	GIRTH	WEIGHT /PIECE	FL-SLER102	10 - 2	18.8750	12.70	FL-SLER122	12 - 2	18.8750	15.20	FL-SLER142	14 - 2	18.8750	17.70	FL-SLER162	16 - 2	18.8750	20.20	FL-SLER182	18 - 2	18.8750	22.70	FL-SLER202	20 - 2	18.8750	25.20
PART NUMBER	LENGTH	GIRTH	WEIGHT /PIECE																										
FL-SLER102	10 - 2	18.8750	12.70																										
FL-SLER122	12 - 2	18.8750	15.20																										
FL-SLER142	14 - 2	18.8750	17.70																										
FL-SLER162	16 - 2	18.8750	20.20																										
FL-SLER182	18 - 2	18.8750	22.70																										
FL-SLER202	20 - 2	18.8750	25.20																										
<p>SHORT LOW SIDE EAVE</p>	<table border="1"> <thead> <tr> <th>PART NUMBER</th> <th>LENGTH</th> <th>GIRTH</th> <th>WEIGHT /PIECE</th> </tr> </thead> <tbody> <tr> <td>FL-SLER102</td> <td>10 - 2</td> <td>9.6250</td> <td>6.48</td> </tr> <tr> <td>FL-SLER122</td> <td>12 - 2</td> <td>9.6250</td> <td>7.75</td> </tr> <tr> <td>FL-SLER142</td> <td>14 - 2</td> <td>9.6250</td> <td>9.03</td> </tr> <tr> <td>FL-SLER162</td> <td>16 - 2</td> <td>9.6250</td> <td>10.30</td> </tr> <tr> <td>FL-SLER182</td> <td>18 - 2</td> <td>9.6250</td> <td>11.58</td> </tr> <tr> <td>FL-SLER202</td> <td>20 - 2</td> <td>9.6250</td> <td>12.85</td> </tr> </tbody> </table>	PART NUMBER	LENGTH	GIRTH	WEIGHT /PIECE	FL-SLER102	10 - 2	9.6250	6.48	FL-SLER122	12 - 2	9.6250	7.75	FL-SLER142	14 - 2	9.6250	9.03	FL-SLER162	16 - 2	9.6250	10.30	FL-SLER182	18 - 2	9.6250	11.58	FL-SLER202	20 - 2	9.6250	12.85
PART NUMBER	LENGTH	GIRTH	WEIGHT /PIECE																										
FL-SLER102	10 - 2	9.6250	6.48																										
FL-SLER122	12 - 2	9.6250	7.75																										
FL-SLER142	14 - 2	9.6250	9.03																										
FL-SLER162	16 - 2	9.6250	10.30																										
FL-SLER182	18 - 2	9.6250	11.58																										
FL-SLER202	20 - 2	9.6250	12.85																										
<p>FLAT RIDGE CAP</p>	<table border="1"> <thead> <tr> <th>PART NUMBER</th> <th>LENGTH</th> <th>GIRTH</th> <th>WEIGHT /PIECE</th> </tr> </thead> <tbody> <tr> <td>FL-FRC102</td> <td>10 - 2</td> <td>24.0000</td> <td>16.15</td> </tr> <tr> <td>FL-FRC202</td> <td>20 - 2</td> <td>24.0000</td> <td>32.04</td> </tr> </tbody> </table>	PART NUMBER	LENGTH	GIRTH	WEIGHT /PIECE	FL-FRC102	10 - 2	24.0000	16.15	FL-FRC202	20 - 2	24.0000	32.04																
PART NUMBER	LENGTH	GIRTH	WEIGHT /PIECE																										
FL-FRC102	10 - 2	24.0000	16.15																										
FL-FRC202	20 - 2	24.0000	32.04																										

METAL BUILDING COMPONENTS

ITEM	DESCRIPTION												
<p>SCULPTURED RIDGE CAP</p>	<table border="1"> <thead> <tr> <th>PART NUMBER</th> <th>LENGTH</th> <th>GIRTH</th> <th>WEIGHT /PIECE</th> </tr> </thead> <tbody> <tr> <td>FL-SRC102</td> <td>10 - 2</td> <td>20.5000</td> <td>13.80</td> </tr> <tr> <td>FL-SRC202</td> <td>20 - 2</td> <td>20.5000</td> <td>27.37</td> </tr> </tbody> </table>	PART NUMBER	LENGTH	GIRTH	WEIGHT /PIECE	FL-SRC102	10 - 2	20.5000	13.80	FL-SRC202	20 - 2	20.5000	27.37
PART NUMBER	LENGTH	GIRTH	WEIGHT /PIECE										
FL-SRC102	10 - 2	20.5000	13.80										
FL-SRC202	20 - 2	20.5000	27.37										
<p>STANDARD VALLEY</p>	<table border="1"> <thead> <tr> <th>PART NUMBER</th> <th>LENGTH</th> <th>GIRTH</th> <th>WEIGHT /PIECE</th> </tr> </thead> <tbody> <tr> <td>FL-SV102</td> <td>10 - 2</td> <td>26.0000</td> <td>17.50</td> </tr> <tr> <td>FL-SV202</td> <td>20 - 2</td> <td>26.0000</td> <td>34.71</td> </tr> </tbody> </table>	PART NUMBER	LENGTH	GIRTH	WEIGHT /PIECE	FL-SV102	10 - 2	26.0000	17.50	FL-SV202	20 - 2	26.0000	34.71
PART NUMBER	LENGTH	GIRTH	WEIGHT /PIECE										
FL-SV102	10 - 2	26.0000	17.50										
FL-SV202	20 - 2	26.0000	34.71										
<p>EXTENDED VALLEY</p>	<table border="1"> <thead> <tr> <th>PART NUMBER</th> <th>LENGTH</th> <th>GIRTH</th> <th>WEIGHT /PIECE</th> </tr> </thead> <tbody> <tr> <td>FL-EV102</td> <td>10 - 2</td> <td>41.5000</td> <td>27.93</td> </tr> <tr> <td>FL-EV202</td> <td>20 - 2</td> <td>41.5000</td> <td>55.40</td> </tr> </tbody> </table>	PART NUMBER	LENGTH	GIRTH	WEIGHT /PIECE	FL-EV102	10 - 2	41.5000	27.93	FL-EV202	20 - 2	41.5000	55.40
PART NUMBER	LENGTH	GIRTH	WEIGHT /PIECE										
FL-EV102	10 - 2	41.5000	27.93										
FL-EV202	20 - 2	41.5000	55.40										
<p>WALL-RAKE TRANSITION - R PANEL</p>	<table border="1"> <thead> <tr> <th>PART NUMBER</th> <th>LENGTH</th> <th>GIRTH</th> <th>WEIGHT /PIECE</th> </tr> </thead> <tbody> <tr> <td>FL-WRTR102</td> <td>10 - 2</td> <td>14.0000</td> <td>9.42</td> </tr> <tr> <td>FL-WRTR202</td> <td>20 - 2</td> <td>14.0000</td> <td>18.69</td> </tr> </tbody> </table>	PART NUMBER	LENGTH	GIRTH	WEIGHT /PIECE	FL-WRTR102	10 - 2	14.0000	9.42	FL-WRTR202	20 - 2	14.0000	18.69
PART NUMBER	LENGTH	GIRTH	WEIGHT /PIECE										
FL-WRTR102	10 - 2	14.0000	9.42										
FL-WRTR202	20 - 2	14.0000	18.69										

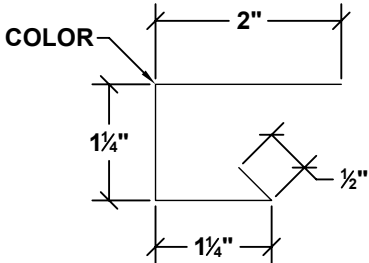
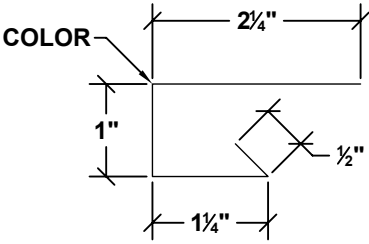
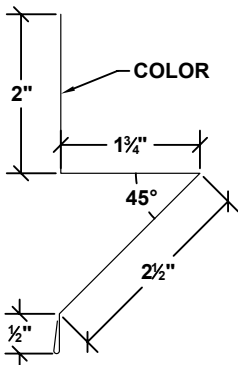
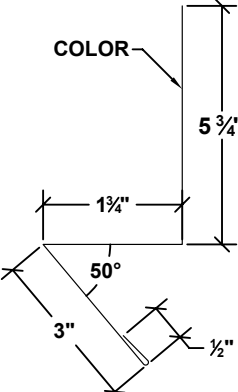
METAL BUILDING COMPONENTS

ITEM	DESCRIPTION												
<p>WALL-RAKE TRANSITION - R PANEL</p>	<table border="1"> <thead> <tr> <th>PART NUMBER</th> <th>LENGTH</th> <th>GIRTH</th> <th>WEIGHT /PIECE</th> </tr> </thead> <tbody> <tr> <td>FL-WRTU102</td> <td>10 - 2</td> <td>14.0000</td> <td>9.42</td> </tr> <tr> <td>FL-WRTU202</td> <td>20 - 2</td> <td>14.0000</td> <td>18.69</td> </tr> </tbody> </table>	PART NUMBER	LENGTH	GIRTH	WEIGHT /PIECE	FL-WRTU102	10 - 2	14.0000	9.42	FL-WRTU202	20 - 2	14.0000	18.69
PART NUMBER	LENGTH	GIRTH	WEIGHT /PIECE										
FL-WRTU102	10 - 2	14.0000	9.42										
FL-WRTU202	20 - 2	14.0000	18.69										
<p>WALL-ROOF TRANSITION</p>	<table border="1"> <thead> <tr> <th>PART NUMBER</th> <th>LENGTH</th> <th>GIRTH</th> <th>WEIGHT /PIECE</th> </tr> </thead> <tbody> <tr> <td>FL-WRFT102</td> <td>10 - 2</td> <td>9.7500</td> <td>6.56</td> </tr> <tr> <td>FL-WRFT202</td> <td>20 - 2</td> <td>9.7500</td> <td>13.02</td> </tr> </tbody> </table>	PART NUMBER	LENGTH	GIRTH	WEIGHT /PIECE	FL-WRFT102	10 - 2	9.7500	6.56	FL-WRFT202	20 - 2	9.7500	13.02
PART NUMBER	LENGTH	GIRTH	WEIGHT /PIECE										
FL-WRFT102	10 - 2	9.7500	6.56										
FL-WRFT202	20 - 2	9.7500	13.02										
<p>SHEET LEDGE TRIM</p>	<table border="1"> <thead> <tr> <th>PART NUMBER</th> <th>LENGTH</th> <th>GIRTH</th> <th>WEIGHT /PIECE</th> </tr> </thead> <tbody> <tr> <td>FL-SLT102</td> <td>10 - 2</td> <td>6.1250</td> <td>4.12</td> </tr> <tr> <td>FL-SLT202</td> <td>20 - 2</td> <td>6.1250</td> <td>8.18</td> </tr> </tbody> </table>	PART NUMBER	LENGTH	GIRTH	WEIGHT /PIECE	FL-SLT102	10 - 2	6.1250	4.12	FL-SLT202	20 - 2	6.1250	8.18
PART NUMBER	LENGTH	GIRTH	WEIGHT /PIECE										
FL-SLT102	10 - 2	6.1250	4.12										
FL-SLT202	20 - 2	6.1250	8.18										
<p>SLIDE DOOR HOOD</p>	<table border="1"> <thead> <tr> <th>PART NUMBER</th> <th>LENGTH</th> <th>GIRTH</th> <th>WEIGHT /PIECE</th> </tr> </thead> <tbody> <tr> <td>FL-SLH102</td> <td>10 - 2</td> <td>16.5000</td> <td>11.11</td> </tr> </tbody> </table>	PART NUMBER	LENGTH	GIRTH	WEIGHT /PIECE	FL-SLH102	10 - 2	16.5000	11.11				
PART NUMBER	LENGTH	GIRTH	WEIGHT /PIECE										
FL-SLH102	10 - 2	16.5000	11.11										

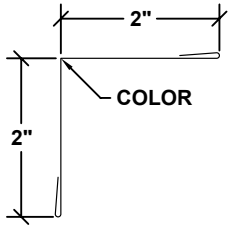
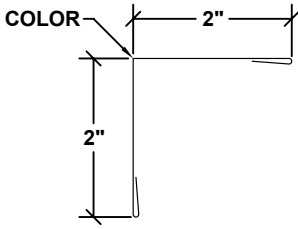
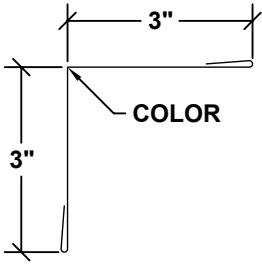
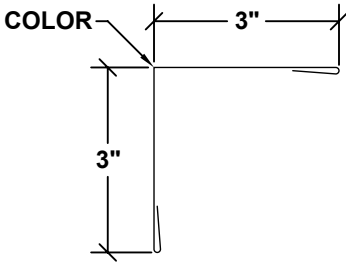
METAL BUILDING COMPONENTS

ITEM	DESCRIPTION																																				
<p>SLIDE DOOR HOOD 2</p>	<table border="1"> <thead> <tr> <th>PART NUMBER</th> <th>LENGTH</th> <th>GIRTH</th> <th>WEIGHT /PIECE</th> </tr> </thead> <tbody> <tr> <td>FL-SLDH102</td> <td>10 - 2</td> <td>19.2500</td> <td>12.96</td> </tr> </tbody> </table>	PART NUMBER	LENGTH	GIRTH	WEIGHT /PIECE	FL-SLDH102	10 - 2	19.2500	12.96																												
PART NUMBER	LENGTH	GIRTH	WEIGHT /PIECE																																		
FL-SLDH102	10 - 2	19.2500	12.96																																		
<p>HEAD TRIM - R PANEL</p>	<table border="1"> <thead> <tr> <th>PART NUMBER</th> <th>LENGTH</th> <th>GIRTH</th> <th>WEIGHT /PIECE</th> </tr> </thead> <tbody> <tr><td>FL-HTR34</td><td>3 - 4</td><td>5.6250</td><td>1.24</td></tr> <tr><td>FL-HTR44</td><td>4 - 4</td><td>5.6250</td><td>1.61</td></tr> <tr><td>FL-HTR64</td><td>6 - 4</td><td>5.6250</td><td>2.36</td></tr> <tr><td>FL-HTR84</td><td>8 - 8</td><td>5.6250</td><td>3.10</td></tr> <tr><td>FL-HTR104</td><td>10 - 4</td><td>5.6250</td><td>3.85</td></tr> <tr><td>FL-HTR124</td><td>12 - 4</td><td>5.6250</td><td>4.59</td></tr> <tr><td>FL-HTR144</td><td>14 - 4</td><td>5.6250</td><td>5.34</td></tr> <tr><td>FL-HTR202</td><td>20 - 2</td><td>5.6250</td><td>7.51</td></tr> </tbody> </table>	PART NUMBER	LENGTH	GIRTH	WEIGHT /PIECE	FL-HTR34	3 - 4	5.6250	1.24	FL-HTR44	4 - 4	5.6250	1.61	FL-HTR64	6 - 4	5.6250	2.36	FL-HTR84	8 - 8	5.6250	3.10	FL-HTR104	10 - 4	5.6250	3.85	FL-HTR124	12 - 4	5.6250	4.59	FL-HTR144	14 - 4	5.6250	5.34	FL-HTR202	20 - 2	5.6250	7.51
PART NUMBER	LENGTH	GIRTH	WEIGHT /PIECE																																		
FL-HTR34	3 - 4	5.6250	1.24																																		
FL-HTR44	4 - 4	5.6250	1.61																																		
FL-HTR64	6 - 4	5.6250	2.36																																		
FL-HTR84	8 - 8	5.6250	3.10																																		
FL-HTR104	10 - 4	5.6250	3.85																																		
FL-HTR124	12 - 4	5.6250	4.59																																		
FL-HTR144	14 - 4	5.6250	5.34																																		
FL-HTR202	20 - 2	5.6250	7.51																																		
<p>HEAD TRIM - U PANEL</p>	<table border="1"> <thead> <tr> <th>PART NUMBER</th> <th>LENGTH</th> <th>GIRTH</th> <th>WEIGHT /PIECE</th> </tr> </thead> <tbody> <tr><td>FL-HTU34</td><td>3 - 4</td><td>5.0000</td><td>1.10</td></tr> <tr><td>FL-HTU44</td><td>4 - 4</td><td>5.0000</td><td>1.43</td></tr> <tr><td>FL-HTU64</td><td>6 - 4</td><td>5.0000</td><td>2.10</td></tr> <tr><td>FL-HTU104</td><td>10 - 4</td><td>5.0000</td><td>3.42</td></tr> <tr><td>FL-HTU124</td><td>12 - 4</td><td>5.0000</td><td>4.08</td></tr> <tr><td>FL-HTU144</td><td>14 - 4</td><td>5.0000</td><td>4.74</td></tr> </tbody> </table>	PART NUMBER	LENGTH	GIRTH	WEIGHT /PIECE	FL-HTU34	3 - 4	5.0000	1.10	FL-HTU44	4 - 4	5.0000	1.43	FL-HTU64	6 - 4	5.0000	2.10	FL-HTU104	10 - 4	5.0000	3.42	FL-HTU124	12 - 4	5.0000	4.08	FL-HTU144	14 - 4	5.0000	4.74								
PART NUMBER	LENGTH	GIRTH	WEIGHT /PIECE																																		
FL-HTU34	3 - 4	5.0000	1.10																																		
FL-HTU44	4 - 4	5.0000	1.43																																		
FL-HTU64	6 - 4	5.0000	2.10																																		
FL-HTU104	10 - 4	5.0000	3.42																																		
FL-HTU124	12 - 4	5.0000	4.08																																		
FL-HTU144	14 - 4	5.0000	4.74																																		
<p>HEAD TRIM W/ KICK - R PANEL</p>	<table border="1"> <thead> <tr> <th>PART NUMBER</th> <th>LENGTH</th> <th>GIRTH</th> <th>WEIGHT /PIECE</th> </tr> </thead> <tbody> <tr><td>FL-HTKR34</td><td>3 - 4</td><td>6.3750</td><td>1.41</td></tr> <tr><td>FL-HTKR44</td><td>4 - 4</td><td>6.3750</td><td>1.83</td></tr> <tr><td>FL-HTKR64</td><td>6 - 4</td><td>6.3750</td><td>2.67</td></tr> <tr><td>FL-HTKR104</td><td>10 - 4</td><td>6.3750</td><td>4.36</td></tr> <tr><td>FL-HTKR124</td><td>12 - 4</td><td>6.3750</td><td>5.20</td></tr> <tr><td>FL-HTKR144</td><td>14 - 4</td><td>6.3750</td><td>6.05</td></tr> </tbody> </table>	PART NUMBER	LENGTH	GIRTH	WEIGHT /PIECE	FL-HTKR34	3 - 4	6.3750	1.41	FL-HTKR44	4 - 4	6.3750	1.83	FL-HTKR64	6 - 4	6.3750	2.67	FL-HTKR104	10 - 4	6.3750	4.36	FL-HTKR124	12 - 4	6.3750	5.20	FL-HTKR144	14 - 4	6.3750	6.05								
PART NUMBER	LENGTH	GIRTH	WEIGHT /PIECE																																		
FL-HTKR34	3 - 4	6.3750	1.41																																		
FL-HTKR44	4 - 4	6.3750	1.83																																		
FL-HTKR64	6 - 4	6.3750	2.67																																		
FL-HTKR104	10 - 4	6.3750	4.36																																		
FL-HTKR124	12 - 4	6.3750	5.20																																		
FL-HTKR144	14 - 4	6.3750	6.05																																		
<p>JAMB / HEAD COVER TRIM</p>	<table border="1"> <thead> <tr> <th>PART NUMBER</th> <th>LENGTH</th> <th>GIRTH</th> <th>WEIGHT /PIECE</th> </tr> </thead> <tbody> <tr> <td>FL-JC102</td> <td>10 - 2</td> <td>13.1250</td> <td>8.83</td> </tr> </tbody> </table>	PART NUMBER	LENGTH	GIRTH	WEIGHT /PIECE	FL-JC102	10 - 2	13.1250	8.83																												
PART NUMBER	LENGTH	GIRTH	WEIGHT /PIECE																																		
FL-JC102	10 - 2	13.1250	8.83																																		

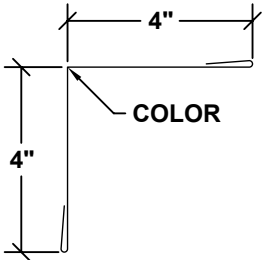
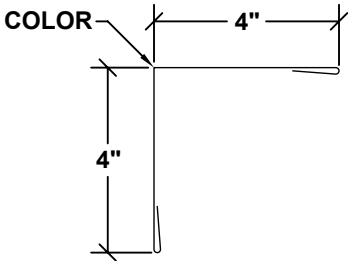
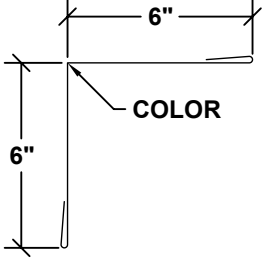
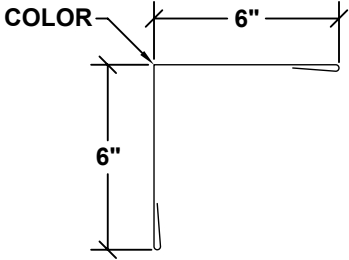
METAL BUILDING COMPONENTS

ITEM	DESCRIPTION																								
<p>JAMB TRIM - R PANEL</p> 	<table border="1"> <thead> <tr> <th>PART NUMBER</th> <th>LENGTH</th> <th>GIRTH</th> <th>WEIGHT /PIECE</th> </tr> </thead> <tbody> <tr> <td>FL-JTR43</td> <td>4 - 3</td> <td>5.0000</td> <td>1.41</td> </tr> <tr> <td>FL-JTR73</td> <td>7 - 3</td> <td>5.0000</td> <td>2.40</td> </tr> <tr> <td>FL-JTR103</td> <td>10 - 3</td> <td>5.0000</td> <td>3.39</td> </tr> <tr> <td>FL-JTR123</td> <td>12 - 3</td> <td>5.0000</td> <td>4.05</td> </tr> <tr> <td>FL-JTR143</td> <td>14 - 3</td> <td>5.0000</td> <td>4.72</td> </tr> </tbody> </table>	PART NUMBER	LENGTH	GIRTH	WEIGHT /PIECE	FL-JTR43	4 - 3	5.0000	1.41	FL-JTR73	7 - 3	5.0000	2.40	FL-JTR103	10 - 3	5.0000	3.39	FL-JTR123	12 - 3	5.0000	4.05	FL-JTR143	14 - 3	5.0000	4.72
PART NUMBER	LENGTH	GIRTH	WEIGHT /PIECE																						
FL-JTR43	4 - 3	5.0000	1.41																						
FL-JTR73	7 - 3	5.0000	2.40																						
FL-JTR103	10 - 3	5.0000	3.39																						
FL-JTR123	12 - 3	5.0000	4.05																						
FL-JTR143	14 - 3	5.0000	4.72																						
<p>JAMB TRIM - U PANEL</p> 	<table border="1"> <thead> <tr> <th>PART NUMBER</th> <th>LENGTH</th> <th>GIRTH</th> <th>WEIGHT /PIECE</th> </tr> </thead> <tbody> <tr> <td>FL-JTU43</td> <td>4 - 3</td> <td>5.0000</td> <td>1.41</td> </tr> <tr> <td>FL-JTU73</td> <td>7 - 3</td> <td>5.0000</td> <td>2.40</td> </tr> <tr> <td>FL-JTR103</td> <td>10 - 3</td> <td>5.0000</td> <td>3.39</td> </tr> <tr> <td>FL-JTR123</td> <td>12 - 3</td> <td>5.0000</td> <td>4.05</td> </tr> <tr> <td>FL-JTR143</td> <td>14 - 3</td> <td>5.0000</td> <td>4.72</td> </tr> </tbody> </table>	PART NUMBER	LENGTH	GIRTH	WEIGHT /PIECE	FL-JTU43	4 - 3	5.0000	1.41	FL-JTU73	7 - 3	5.0000	2.40	FL-JTR103	10 - 3	5.0000	3.39	FL-JTR123	12 - 3	5.0000	4.05	FL-JTR143	14 - 3	5.0000	4.72
PART NUMBER	LENGTH	GIRTH	WEIGHT /PIECE																						
FL-JTU43	4 - 3	5.0000	1.41																						
FL-JTU73	7 - 3	5.0000	2.40																						
FL-JTR103	10 - 3	5.0000	3.39																						
FL-JTR123	12 - 3	5.0000	4.05																						
FL-JTR143	14 - 3	5.0000	4.72																						
<p>RAT GUARD</p> 	<table border="1"> <thead> <tr> <th>PART NUMBER</th> <th>LENGTH</th> <th>GIRTH</th> <th>WEIGHT /PIECE</th> </tr> </thead> <tbody> <tr> <td>FL-RG102</td> <td>10 - 2</td> <td>7.2500</td> <td>4.88</td> </tr> </tbody> </table>	PART NUMBER	LENGTH	GIRTH	WEIGHT /PIECE	FL-RG102	10 - 2	7.2500	4.88																
PART NUMBER	LENGTH	GIRTH	WEIGHT /PIECE																						
FL-RG102	10 - 2	7.2500	4.88																						
<p>MASONRY FLASHING</p> 	<table border="1"> <thead> <tr> <th>PART NUMBER</th> <th>LENGTH</th> <th>GIRTH</th> <th>WEIGHT /PIECE</th> </tr> </thead> <tbody> <tr> <td>FL-BM102</td> <td>20 - 2</td> <td>11.0000</td> <td>14.69</td> </tr> </tbody> </table>	PART NUMBER	LENGTH	GIRTH	WEIGHT /PIECE	FL-BM102	20 - 2	11.0000	14.69																
PART NUMBER	LENGTH	GIRTH	WEIGHT /PIECE																						
FL-BM102	20 - 2	11.0000	14.69																						

METAL BUILDING COMPONENTS

ITEM	DESCRIPTION								
<p>2X2 INSIDE ANGLE</p> 	<table border="1"> <thead> <tr> <th data-bbox="769 352 919 411">PART NUMBER</th> <th data-bbox="919 352 1211 411">LENGTH</th> <th data-bbox="1211 352 1390 411">GIRTH</th> <th data-bbox="1390 352 1495 411">WEIGHT /PIECE</th> </tr> </thead> <tbody> <tr> <td data-bbox="769 411 919 449">FL-IA2102</td> <td data-bbox="919 411 1211 449">10 - 2</td> <td data-bbox="1211 411 1390 449">5.0000</td> <td data-bbox="1390 411 1495 449">3.37</td> </tr> </tbody> </table>	PART NUMBER	LENGTH	GIRTH	WEIGHT /PIECE	FL-IA2102	10 - 2	5.0000	3.37
PART NUMBER	LENGTH	GIRTH	WEIGHT /PIECE						
FL-IA2102	10 - 2	5.0000	3.37						
<p>2X2 OUTSIDE ANGLE</p> 	<table border="1"> <thead> <tr> <th data-bbox="769 714 919 772">PART NUMBER</th> <th data-bbox="919 714 1211 772">LENGTH</th> <th data-bbox="1211 714 1390 772">GIRTH</th> <th data-bbox="1390 714 1495 772">WEIGHT /PIECE</th> </tr> </thead> <tbody> <tr> <td data-bbox="769 772 919 810">FL-IA2102</td> <td data-bbox="919 772 1211 810">10 - 2</td> <td data-bbox="1211 772 1390 810">5.0000</td> <td data-bbox="1390 772 1495 810">3.37</td> </tr> </tbody> </table>	PART NUMBER	LENGTH	GIRTH	WEIGHT /PIECE	FL-IA2102	10 - 2	5.0000	3.37
PART NUMBER	LENGTH	GIRTH	WEIGHT /PIECE						
FL-IA2102	10 - 2	5.0000	3.37						
<p>3X3 INSIDE ANGLE</p> 	<table border="1"> <thead> <tr> <th data-bbox="769 1087 919 1146">PART NUMBER</th> <th data-bbox="919 1087 1211 1146">LENGTH</th> <th data-bbox="1211 1087 1390 1146">GIRTH</th> <th data-bbox="1390 1087 1495 1146">WEIGHT /PIECE</th> </tr> </thead> <tbody> <tr> <td data-bbox="769 1146 919 1184">FL-IA3102</td> <td data-bbox="919 1146 1211 1184">10 - 2</td> <td data-bbox="1211 1146 1390 1184">7.0000</td> <td data-bbox="1390 1146 1495 1184">4.71</td> </tr> </tbody> </table>	PART NUMBER	LENGTH	GIRTH	WEIGHT /PIECE	FL-IA3102	10 - 2	7.0000	4.71
PART NUMBER	LENGTH	GIRTH	WEIGHT /PIECE						
FL-IA3102	10 - 2	7.0000	4.71						
<p>3X3 OUTSIDE ANGLE</p> 	<table border="1"> <thead> <tr> <th data-bbox="769 1518 919 1577">PART NUMBER</th> <th data-bbox="919 1518 1211 1577">LENGTH</th> <th data-bbox="1211 1518 1390 1577">GIRTH</th> <th data-bbox="1390 1518 1495 1577">WEIGHT /PIECE</th> </tr> </thead> <tbody> <tr> <td data-bbox="769 1577 919 1614">FL-OA3102</td> <td data-bbox="919 1577 1211 1614">10 - 2</td> <td data-bbox="1211 1577 1390 1614">7.0000</td> <td data-bbox="1390 1577 1495 1614">4.71</td> </tr> </tbody> </table>	PART NUMBER	LENGTH	GIRTH	WEIGHT /PIECE	FL-OA3102	10 - 2	7.0000	4.71
PART NUMBER	LENGTH	GIRTH	WEIGHT /PIECE						
FL-OA3102	10 - 2	7.0000	4.71						

METAL BUILDING COMPONENTS

ITEM	DESCRIPTION								
<p data-bbox="321 346 545 373">4X4 INSIDE ANGLE</p> 	<table border="1"> <thead> <tr> <th data-bbox="773 352 873 411">PART NUMBER</th> <th data-bbox="987 386 1078 411">LENGTH</th> <th data-bbox="1230 386 1302 411">GIRTH</th> <th data-bbox="1399 352 1490 411">WEIGHT /PIECE</th> </tr> </thead> <tbody> <tr> <td data-bbox="773 422 873 447">FL-IA4102</td> <td data-bbox="1003 422 1062 447">10 - 2</td> <td data-bbox="1230 422 1302 447">9.0000</td> <td data-bbox="1442 422 1490 447">6.06</td> </tr> </tbody> </table>	PART NUMBER	LENGTH	GIRTH	WEIGHT /PIECE	FL-IA4102	10 - 2	9.0000	6.06
PART NUMBER	LENGTH	GIRTH	WEIGHT /PIECE						
FL-IA4102	10 - 2	9.0000	6.06						
<p data-bbox="310 751 557 779">4X4 OUTSIDE ANGLE</p> 	<table border="1"> <thead> <tr> <th data-bbox="773 758 873 816">PART NUMBER</th> <th data-bbox="987 791 1078 816">LENGTH</th> <th data-bbox="1230 791 1302 816">GIRTH</th> <th data-bbox="1399 758 1490 816">WEIGHT /PIECE</th> </tr> </thead> <tbody> <tr> <td data-bbox="773 827 873 852">FL-IA4102</td> <td data-bbox="1003 827 1062 852">10 - 2</td> <td data-bbox="1230 827 1302 852">9.0000</td> <td data-bbox="1442 827 1490 852">6.06</td> </tr> </tbody> </table>	PART NUMBER	LENGTH	GIRTH	WEIGHT /PIECE	FL-IA4102	10 - 2	9.0000	6.06
PART NUMBER	LENGTH	GIRTH	WEIGHT /PIECE						
FL-IA4102	10 - 2	9.0000	6.06						
<p data-bbox="321 1165 545 1192">6X6 INSIDE ANGLE</p> 	<table border="1"> <thead> <tr> <th data-bbox="773 1171 873 1230">PART NUMBER</th> <th data-bbox="987 1205 1078 1230">LENGTH</th> <th data-bbox="1230 1205 1302 1230">GIRTH</th> <th data-bbox="1399 1171 1490 1230">WEIGHT /PIECE</th> </tr> </thead> <tbody> <tr> <td data-bbox="773 1241 873 1266">FL-IA6102</td> <td data-bbox="1003 1241 1062 1266">10 - 2</td> <td data-bbox="1230 1241 1302 1266">13.0000</td> <td data-bbox="1442 1241 1490 1266">8.75</td> </tr> </tbody> </table>	PART NUMBER	LENGTH	GIRTH	WEIGHT /PIECE	FL-IA6102	10 - 2	13.0000	8.75
PART NUMBER	LENGTH	GIRTH	WEIGHT /PIECE						
FL-IA6102	10 - 2	13.0000	8.75						
<p data-bbox="310 1558 557 1585">6X6 OUTSIDE ANGLE</p> 	<table border="1"> <thead> <tr> <th data-bbox="773 1564 873 1623">PART NUMBER</th> <th data-bbox="987 1598 1078 1623">LENGTH</th> <th data-bbox="1230 1598 1302 1623">GIRTH</th> <th data-bbox="1399 1564 1490 1623">WEIGHT /PIECE</th> </tr> </thead> <tbody> <tr> <td data-bbox="773 1633 873 1659">FL-OA6102</td> <td data-bbox="1003 1633 1062 1659">10 - 2</td> <td data-bbox="1230 1633 1302 1659">13.0000</td> <td data-bbox="1442 1633 1490 1659">8.75</td> </tr> </tbody> </table>	PART NUMBER	LENGTH	GIRTH	WEIGHT /PIECE	FL-OA6102	10 - 2	13.0000	8.75
PART NUMBER	LENGTH	GIRTH	WEIGHT /PIECE						
FL-OA6102	10 - 2	13.0000	8.75						